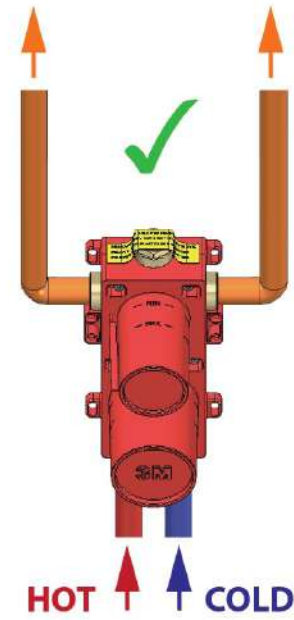
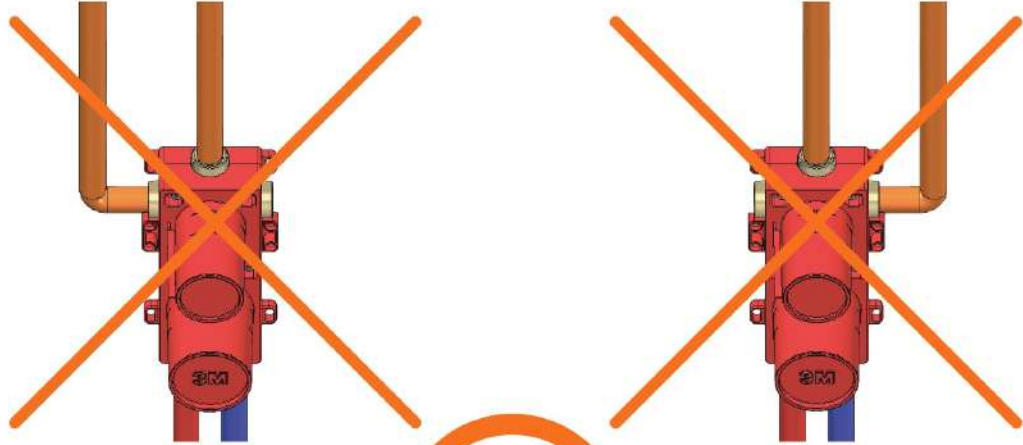
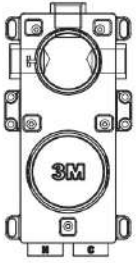


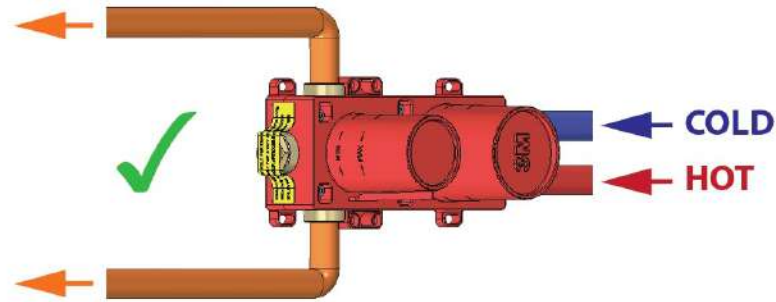
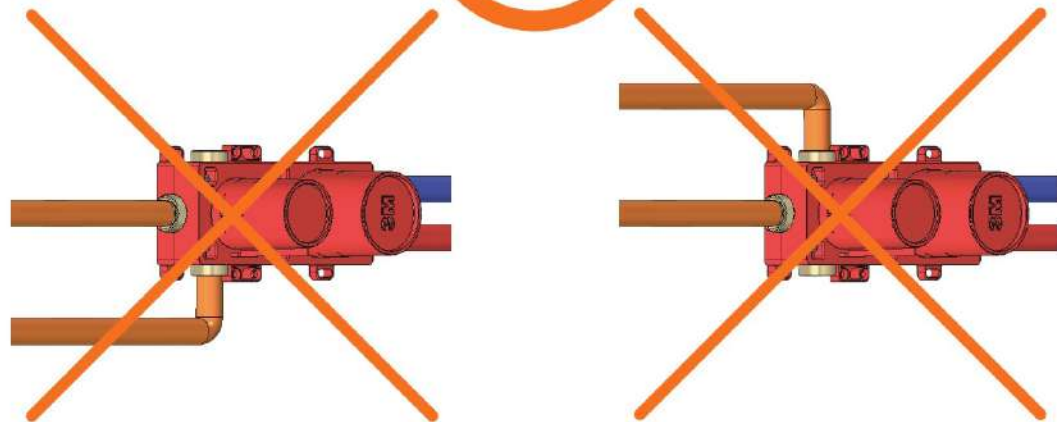
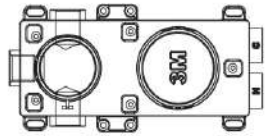
RWIT 22A2 ZZ 01 - RWIT 8A46 ZZ 20

2
WAYS

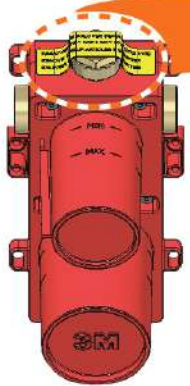
**VERTICAL
INSTALLATION**



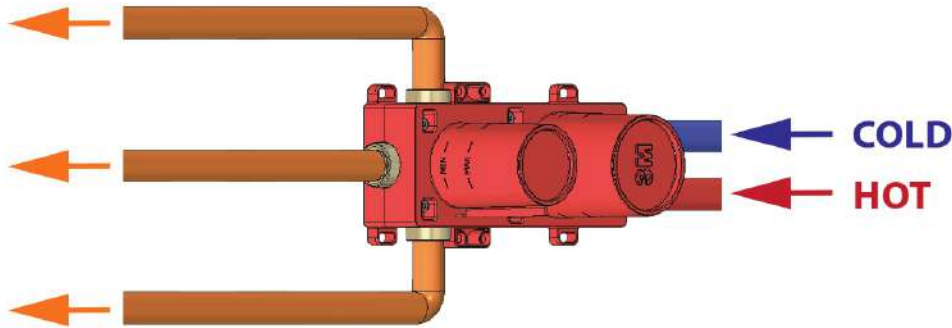
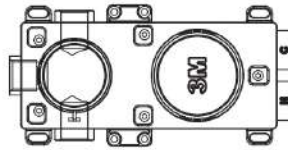
**HORIZONTAL
INSTALLATION**



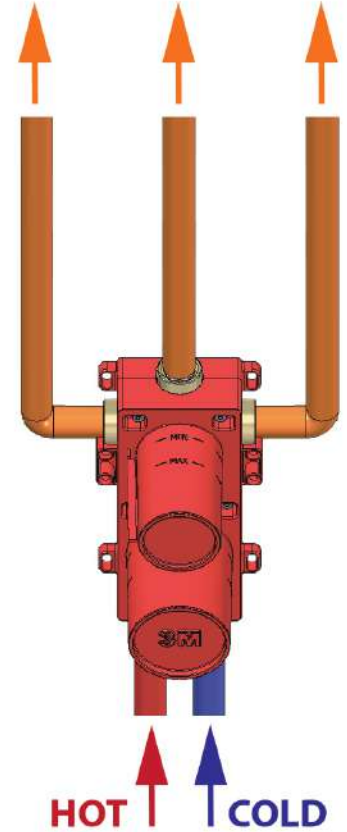
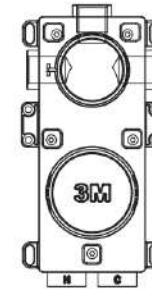
RWIT 22A2 ZZ 01 - RWIT 8A46 ZZ 20 3 WAYS



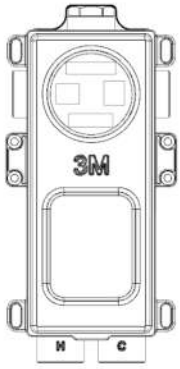
HORIZONTAL INSTALLATION



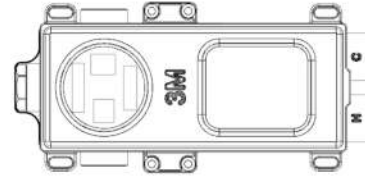
VERTICAL INSTALLATION



RWIT 8A46 ZZ 20 EXTERNAL PARTS



**VERTICAL
INSTALLATION**



**HORIZONTAL
INSTALLATION**

